

*Wittmann*

*Battenfeld*

Presentation

# Wiba Tech ApS

Kratbjerg 202  
DK-3480 Fredensborg

[www.wibatech.dk](http://www.wibatech.dk)

# Welcome to WibaTech

---

- WIBA Tech has been one of the market's significant suppliers of production equipment to the plastics industry.
- As the Danish distributor of the Wittmann-Group, WIBA Tech is a **turnkey supplier to the plastics industry** with injection molding machines, robots and peripherals.
- Besides IMM's and peripherals from Wittmann Group, WIBA Tech also offers a pallet of other products to service the plastic industry, like extrusion, screws and cylinders, masterbatch, end-of-arm-tools, Schredders, Laser measurement as well automation.



# Organisation

Sales		Technics / Service		Administration
Sales manager Michael Juul-Andersen		Service manager Hans-Erik Nielsen		Management – Owner Jesper Skaarup
Sales consultant Daniel Skaarup		Service Technician Frederik Kim Christiansen		Accountant / HR Majbritt Paulson
Sales / Back Office Nick Hinsch		Service Technician Robert Jensen		
		Project Manager Bjarni Due Zachariasen		

# Wittmann Robots and Peripherals

## Robots for the plastics processing industry

WITTMANN is offering an entire range of robots for the flexible automation of injection molding machines – from small models, up to machines with very large clamping forces. [Info>>>](#)

## Gravimetric blenders, volumetric dosing

[Info>>>](#)

## Water flow and temperature controllers, cooling units

[Info>>>](#)

## Conveying units, controls and accessories for the plastics industry

[Info>>>](#)

## Material dryers and drying hoppers

[Info>>>](#)

## Granulators

[Info>>>](#)



# Wittmann Battenfeld Injection Moulding Machines

**WITTMANN BATTENFELD injection molding technology.** The modern and comprehensive range of machinery in a modular design meets the actual and future requirements of the market, taking into consideration the best utilization of the applied energy.

**Electrical machines, EcoPower 55-550T**

[Info>>>](#)

**Servo-hydraulic SmartPower 25-400T**

[Info>>>](#)

**MacroPower 400-2000T**

[Info>>>](#)

**MicroPower 15T**

[Info>>>](#)

**Vertical Vpower 120-160T**

[Info>>>](#)

**Process technology (Multi-component,**

**Medical, Air- and Cellmould a.o.)**

[Info>>>](#)



# ASS-Maschinenbau End-of-Arm-Tooling

**Gripper Components**, Robot Hands / End-of-Arm-Tooling and Automation Systems.

The Original ASS Robot Hand Kit (EOAT) from Germany. **Custom made robotics.**

[info >>>](#)

More than 1,500 gripper components.

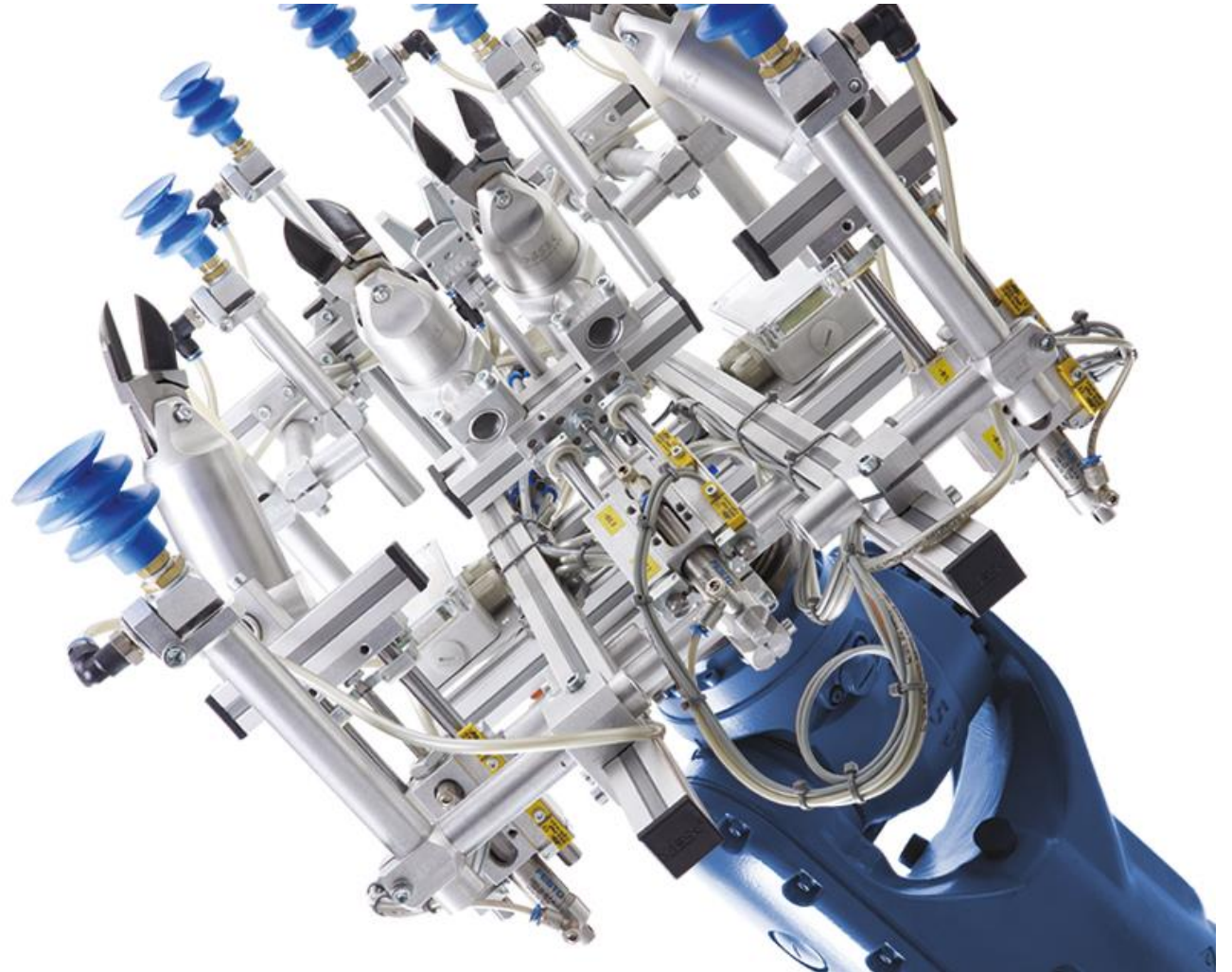
**Grippers, vacuum cups, profiles** and special gripper components.

[info >>>](#)

**Quick change systems.**

**On-line catalog**

[info >>>](#)



# Tosaf Color Service Masterbatch

Color Service – a part of Tosaf group [Info>>>](#)

**Universal MB.**

[Info>>>](#)

**Standard MB**

[Info>>>](#)

**PE Master Batch**

[Info>>>](#)

**Polymer specific MB.**

[Info>>>](#)

**Additive- and combi-MB**

[Info>>>](#)

**Special effects** – from metallic to shimmer, all the way to glow effects

**The inclusion of additives**, the creation of combination batches and the use of the most varied types of polymers is possible.

and storage - one Masterbatch for diverse applications



# Reifenhäuser Reiloy Barrels and screws Extruders

The worldwide leading manufacturer of highly wear-resistant barrels and screws for injection moulding and extrusion

## Screws with armoured flights

diameter 40 mm - 350 mm -Length max. 9000 mm

## Through-hardened screws

diameter: 14 mm - 70 mm - Length: max. 2500 mm

## Screw design

3-zone screws, multi-start screws

barrier screws, vented screws

twin-screws

[info >>>](#)

## Barrels

Blank barrel, Twinn barrels, Semi-finished and Finished barrel

[info >>>](#)





# TRIPLE R Oil filtering systems

**Triple R bypass oil filters** perform total oil purification by removing solid particles, sludge, varnish and water from all industrial oil types.

**Filter inserts** -The original and still the best

[Info>>>](#)

Standard filters without pump. 10-50 bar.

[Info>>>](#)

Filters with bypass pump

[Info>>>](#)

Filters for diesel and bio-fuel

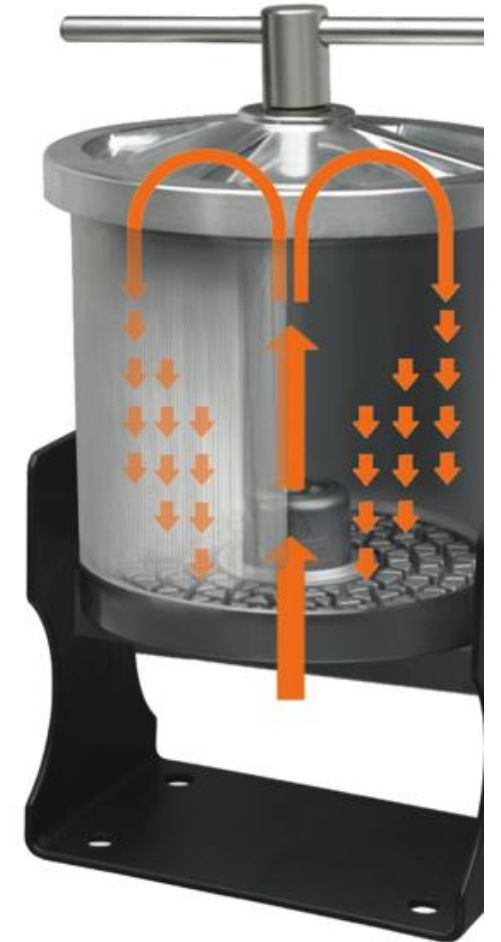
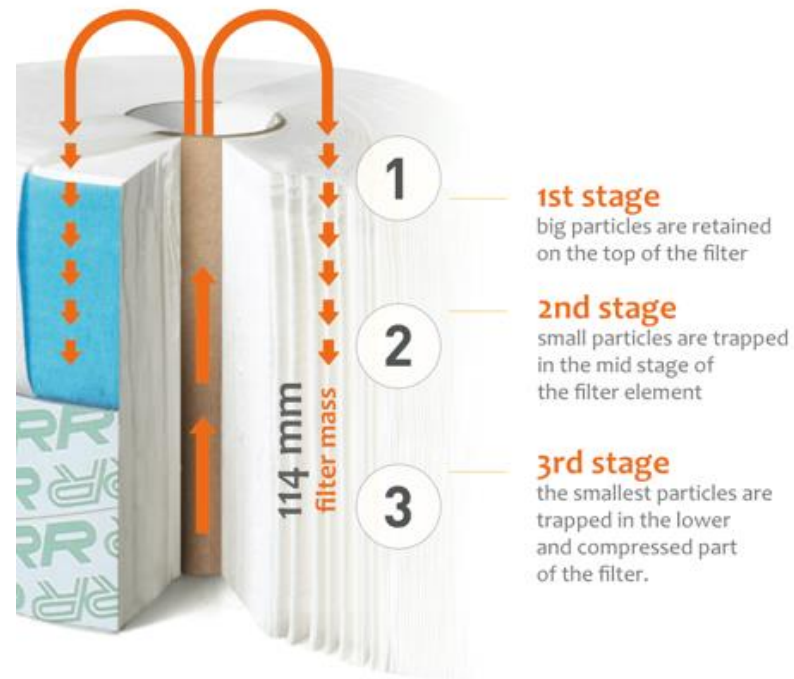
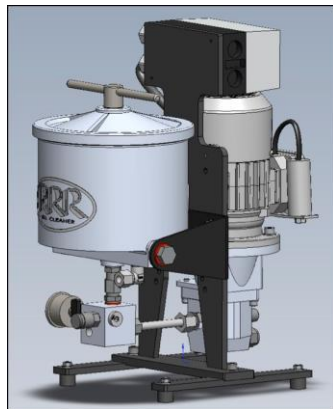
[Info>>>](#)

Filters for marine applications

[Info>>>](#)

Off-line water removing device

[Info>>>](#)



# SCHUMA CONVEYOR - TECHNOLOGY

## **Conveyor technology with unlimited flexibility.**

Regardless of whether you need a straight profile, an angled profile or other variants of conveyor, it is possible with SCHUMA profile-conveyors.

[Info>>>](#)

**Sorting and separation.** Different separation techniques and dimensions are available at SCHUMA in order to achieve an ideal separation result.

[Info>>>](#)

## **STACKING, BUFFERING AND DISTRIBUTING**

With the forklifts or turning and collecting tables from our production runs the goods handling smoothly.

[Info>>>](#)



# Reifenhäuser

## Blown Film, Cast film and extruders

**One of the globally leading providers of extrusion lines** for manufacturing blown film, cast films, polishing sheets and extrusion coatings lines

**Blowfilm lines.** 3- to 12-layer blown film lines and technical films with barrier properties for food packaging to agricultural.

[Info>>>](#)

**Cast film lines.** sheet extrusion lines, extrusion coating lines and extruders

[Info>>>](#)

**Stand-alone extruders.**

**Single-screw extruders, Twin-screw extruders**

[Info>>>](#)





**End of  
Presentation**

**We look forward to continuing the good  
relations with all our business partners.**

**Thanks for  
listening**

**Wiba Tech ApS  
Kratbjerg 202  
DK-3480 Fredensborg**

[www.wibatech.dk](http://www.wibatech.dk)